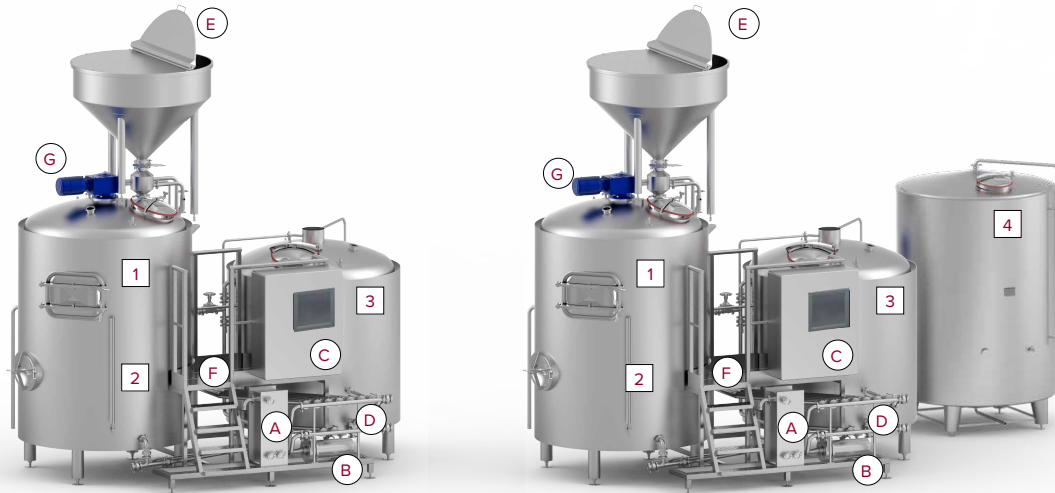


SUPPLIER	ŠKRLJ d.o.o.	MACHINE	BH2 / BH3 - 7 / 15 / 21 BBL	YEAR	9/2018
CATEGORY	BREWHOUSE	TYPE	COMPACT BREW HOUSE	SERIE	BH



Design

- all-in-one-designs / compact designs / combi tanks and multifunctional tanks in different combinations combined in a single system / individually designed tanks;
- equipped with an effective cooling and heating system, insulated vessels with thermal bottom and jacket;
- completely piped and wired,
- with an integrated pump system,
- platform for combining the vessels in a compact unite,
- with installed CIP system,
- sanitary design: polished internal tank surface and welds ensure an easy and effective cleaning of the system.



High-quality manufacturing process

- completely made of stainless steel, only certified materials are used (option: TiN-coated stainless steel)
- automated grinding and polishing of welds and inner surfaces;
- modern welding techniques: TIG welding, laser welded cooling/heating sections (pillow plates) on tank jacket and tank bottom, orbital welded pipes;
- in designing and manufacturing of equipment general rules of the profession and good engineering and manufacturing practice are respected;
- planning, production, control and environmental management are regulated according to the ISO9001 and ISO14001 standards.

Touch screen control panel

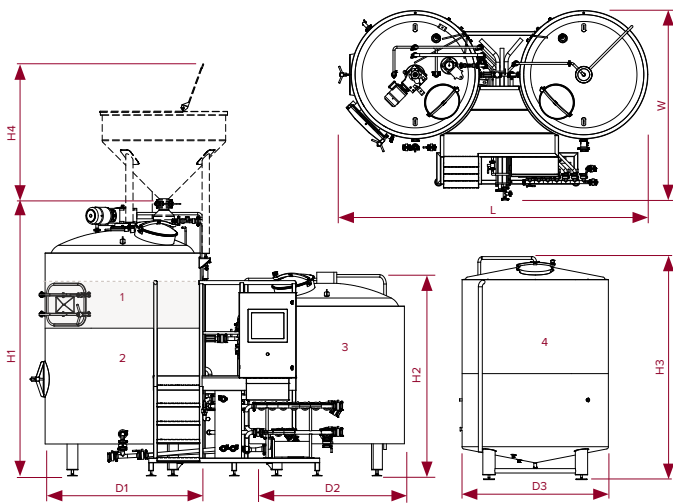
- User friendly graphical interface is easy to understand and allows simple monitoring and control of the beer brewing process:
- pump speed control,
 - mixer rotating control,
 - temperature regulation (separate for side heating and bottom heating);
 - setting of timers and alarms;
 - possibility of performing the multi-step mashing procedure, display of actual and set values.

Thermal oil heating bottom and jacket

The heating bottom and jacket are part of the vessel envelope, designed to allow the control of temperature in the vessel by adjusting the through-flow of heating medium. Both vessels are equipped with heating bottom and jacket and insulated. As standard the system is provided with equipment for thermal oil heating. As option the system can be adapted for heating with steam.



- combi tanks and multifunctional tanks in different combinations;
- completely wired and piped, including manifold with butterfly process valves;
- integrated pump (in the standard configuration the brewhouse is equipped with one pump; optionally the system can be upgraded with a second pump to improve the brewing capacity of the brewhouse);
- lauter tun with heated bottom and tank wall;
- space saving design: support frame and perforated walk-on platform combine the vessels and other components in a compact block;
- master brew interface control system: temperature control, flow regulation, pump on/off, mixer rotation speed, setting of timers and step mashing parameters;
- the system allows performing of the multi-step infusion mashing;
- available also in a configuration for high gravity brewing.



BREWHOUSE BH2 / BH3		BH 7 BBL	BH 15 BBL	BH 21 BBL
Max mash volume in tank (1)	gal	173.0	417.4	472.8
Tank volume (2)	gal	301.2	739.6	770.1
Tank volume (3)	gal	369.8	705.3	845.3
Tank volume (4)	gal	528.3	1083.1	1347.3
Tank diameter (D1)	inch	52.5	74.4	78.3
Tank diameter (D2)	inch	52.5	69.3	75.8
Tank diameter (D3)	inch	53.9	66.1	66.1
Tank height (H1)	inch	107.5	109.8	112.2
Tank height (H2)	inch	80.7	84.6	87.0
Tank height (H3)	inch	78.7	98.4	118.1
Grist case height (H4)	inch	45.3	63.4	74.0
Total length approx. (L)	inch	133.8	167.3	181.1
Total width approx. (W)	inch	76.7	98.8	103.9

* Dimensions listed in the table are approximate and may vary slightly.

Compact Brewhouse BH2

- BH2**
- 1 Mash mixer (MM) / Lauter tun (LT) - upper comp. of combi tank
 - 2 Hot water tank (HWT) - lower compartment of combi tank
 - 3 Kettle (K) / Whirlpool (W)
 - A Heat exchanger
 - B Pump
 - C Control cabinet with touch screen operating panel
 - D Integrated process piping
 - E Grist case (option)
 - F Platform with stairs and guardrails
 - G Rake plow with drive unit

Compact Brewhouse BH3

- BH3**
- 1 Mash mixer (MM) / Lauter tun (LT) - upper comp. of combi tank
 - 2 Whirlpool (W) - lower compartment of combi tank
 - 3 Kettle (K)
 - 4 Hot water tank (HWT)
 - A Heat exchanger
 - B Pump (2x)
 - C Control cabinet with touch screen operating panel
 - D Integrated process piping
 - E Grist case (option)
 - F Platform with stairs and guardrails
 - G Rake plow with drive unit

DISCLAIMER: The information contained in this flyer is for general information purposes only. The information is provided by Prospero Equipment Corporation, and while we endeavor to keep the information up to date and correct, we make no representations or warranties of any kind, express or implied, about the completeness, accuracy, reliability, suitability or availability with respect to the website or the information, products, services, or related graphics contained on the flyer for any purpose. All rights not expressly granted are reserved. All copyrights, trademarks, and registered trademarks are the property of their respective owners. All images, text, custom graphics are the property of Prospero Equipment Corp. or their respective owners. The exclusive property are protected by U.S. and international copyright laws. Any other use of such contents, including the reproduction, modification, distribution, transmission, display or performance of the contents of this flyer without the prior written consent of Prospero Equipment Corp. is expressly forbidden.

Corporate Office

123 Castleon Street
Pleasantville, NY 10570
Phone: (914) 769-6252
Fax: (914) 769-6786
info@prosperocorp.biz

West Coast

7787 Bell Road
Windsor, CA 95492
Phone: (707) 838-2812
Fax: (707) 838-3164
westcoast@prosperocorp.biz

Northwest

1722 SW HWY 18 Suite B
McMinnville, Oregon, 97128
Phone: (503) 472-6767
Fax: (503) 472-6768
northwest@prosperocorp.biz

North

2204 State Route 14 N
Geneva, NY 14456-9510
Phone: (315) 719-0480
Fax: (315) 719-0481
geneva@prosperocorp.biz

Canada

8100 Trans Canada Hwy Unit I
Montreal, Quebec, H4S 1M5
Phone: (514) 336-7117
Fax: (514) 418-2605
canada@prosperocorp.biz

British Columbia

Authorized Agent
Stefan Buhl
Phone: (250) 317-4378
bc@prosperocorp.biz